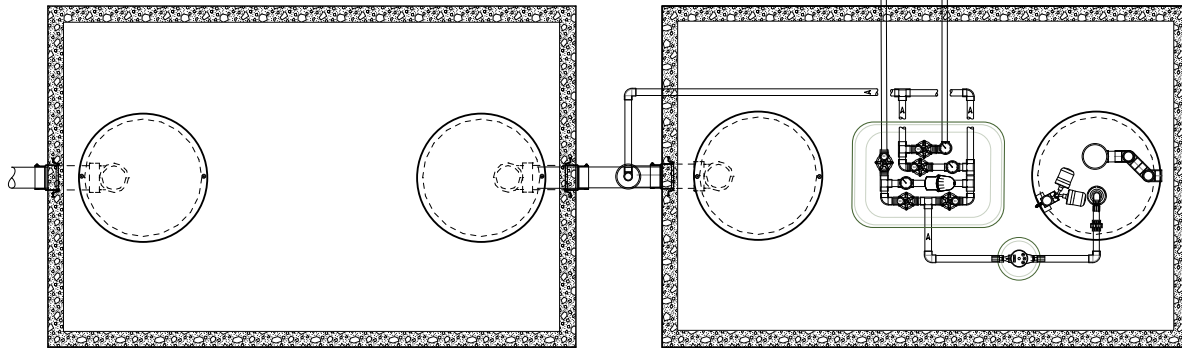
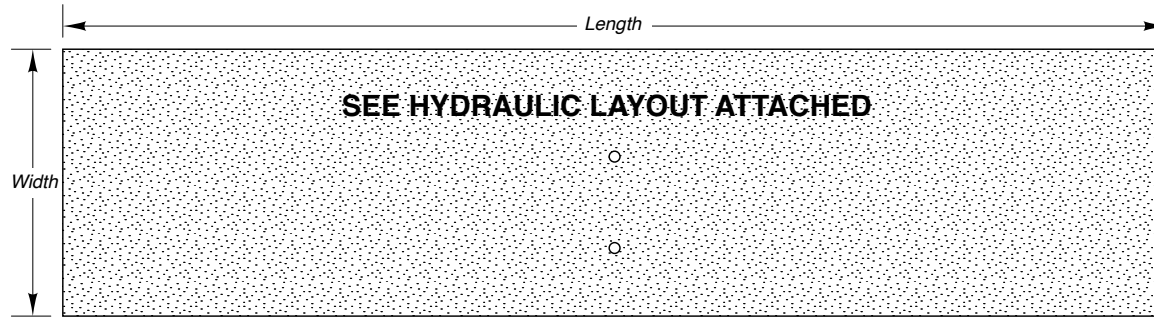


OSCAR-II



PLAN VIEW

**1000 Gallon
Treatment Vessel**

**1000 Gallon Pre-cast Concrete
Single Compartment Discharge Tank**

LOWRIDGE ONSITE TECHNOLOGIES

DRAWING ID: OSCAR-II

SCALE: NTS

DRAWN BY: DBM

CK BY: DAVE LOWE

DATE: 08.04.2018